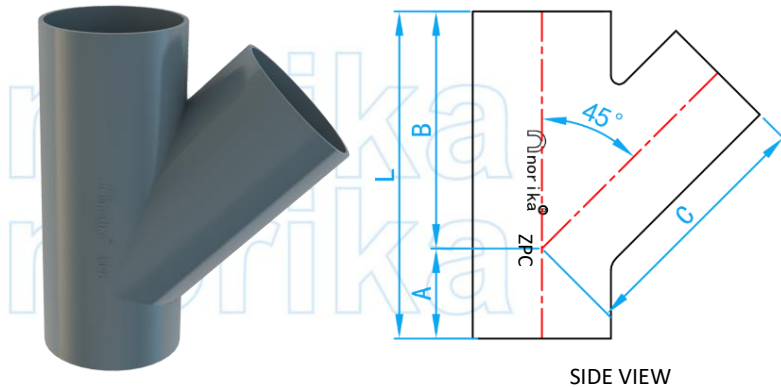


ZPC - EPOXY AND ZINC COATED CAST IRON HUBLESS BRANCH TEE 45°



COMPLY WITH BS EN877: 2021
BS EN 598: 2007



COATING CHARACTERISTIC		
ITEM	LAYERS	THICKNESS
1	Internal Coating	Min. 250µm
2	A Lay Of Metallic Zinc	130g/m ²
3	External Coating	Average thickness ≥70µm, local minimum thickness not less than 50µm

*Availability upon request

DIMENSIONS						
SKU	DN (mm)	A (mm)	B (mm)	L (mm)	C (mm)	WEIGHT (kg)
HUBZYT05050	50X50	50	135	185	135	1.40
HUBZYT08050	75X50	50	140	190	140	1.70
HUBZYT08080	75X75	65	160	225	160	2.40
HUBZYT100050	100X50	35	165	200	165	2.50
HUBZYT100080	100X75	55	175	230	175	3.30
HUBZYT100100	100X100	70	205	275	205	4.04
HUBZYT125050	125X50*	20	185	205	185	3.40
HUBZYT125080	125X75*	40	200	240	200	4.40
HUBZYT125100	125X100	60	220	280	220	5.20
HUBZYT150080	150X75	30	215	345	215	5.90
HUBZYT150100	150X100	55	240	295	240	6.44
HUBZYT150125	150X125*	70	255	325	255	8.00
HUBZYT150150	150X150	90	265	355	265	9.20
HUBZYT200080	200X75	15	240	255	240	8.50
HUBZYT200100	200X100	40	265	305	265	8.25
HUBZYT200125	200X125*	55	280	335	280	11.90
HUBZYT200150	200X150	75	300	375	300	11.86
HUBZYT200200	200X200	115	340	455	340	17.00
HUBZYT250100	250X100*	15	310	325	310	15.40
HUBZYT250125	250X125*	35	335	370	335	17.70
HUBZYT250150	250X150*	55	350	405	350	20.20
HUBZYT250200	250X200*	90	385	475	385	25.10
HUBZYT250250	250X250*	130	430	560	430	31.50
HUBZYT300100	300X100*	5	345	350	345	22.00
HUBZYT300125	300X125*	15	360	375	360	23.90
HUBZYT300150	300X150*	35	380	415	380	26.90
HUBZYT300200	300X200*	70	415	485	415	34.00
HUBZYT300250	300X250*	115	465	580	465	34.00
HUBZYT300300	300X300*	155	505	660	505	50.10

Notes: The tolerance for Weight is ±10%.